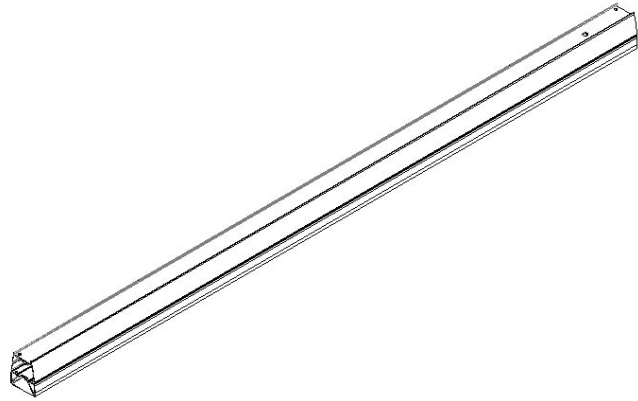




Linear Led Installation Manual

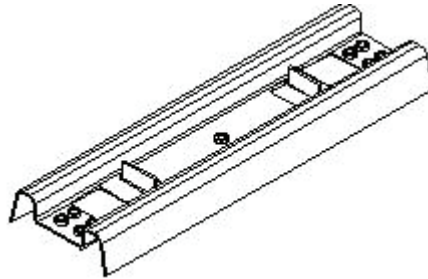
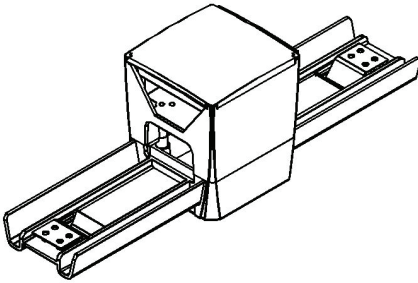
1. Introduction of the whole lamp

1) Main part



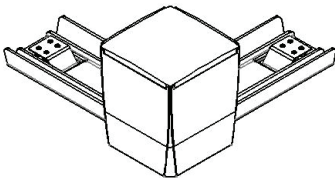
Length: 0.9M/1.2M/1.5M

2) One-line node connector

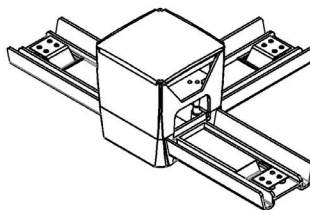


Version 1: with light source and die-casting Al Version 2: simple version without light source

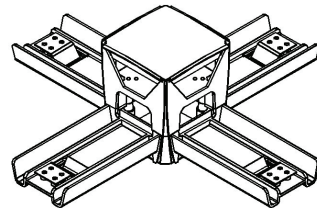
3) L node connector



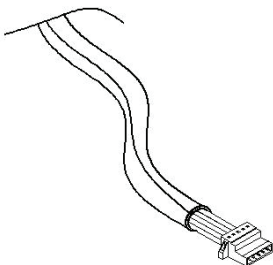
4) T node connector



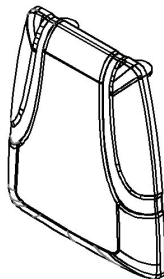
5) + node connector



6) Input wire



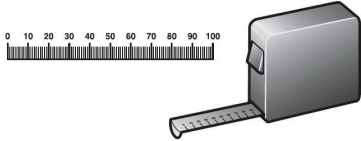
7) Cover



8) Suspended accessory



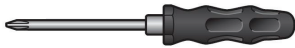
2. Installation tools



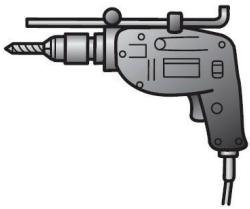
Measuring tape



PH1



Screwdriver PH1



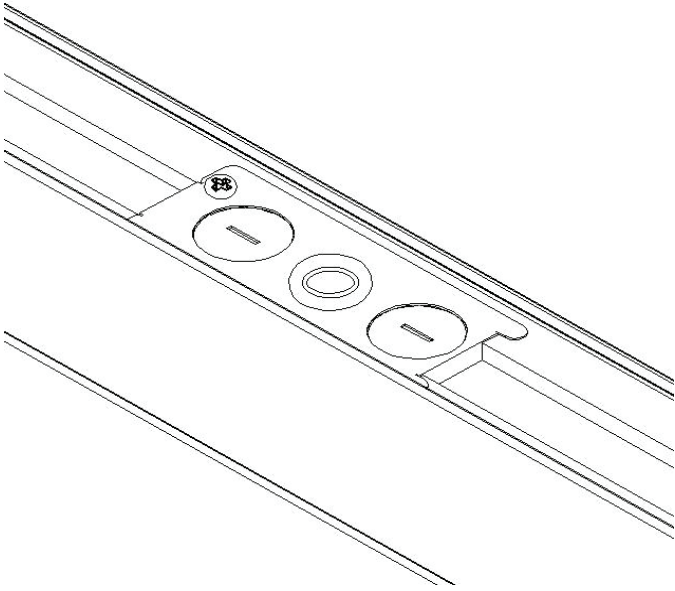
Hand drill (8MM dr



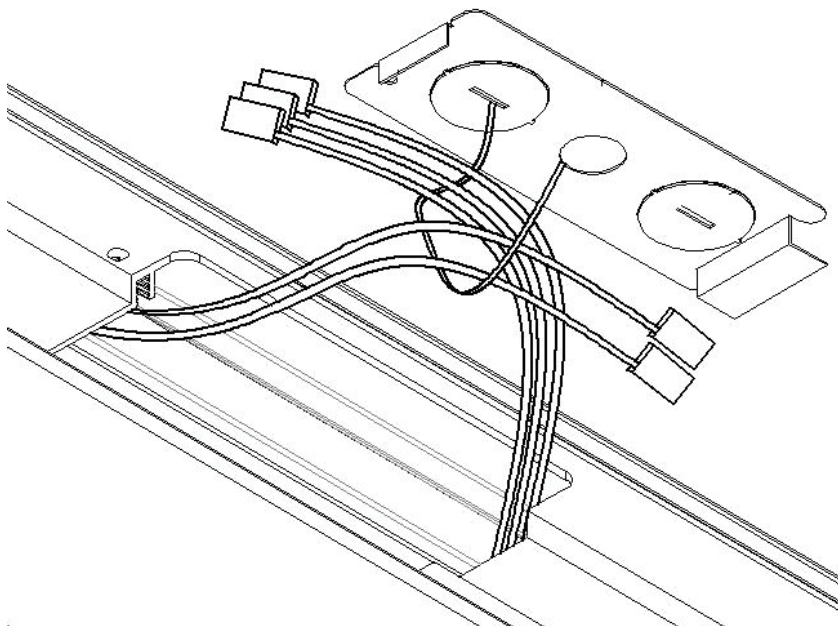
Stripping pliers

3. Introduction of wiring

- 1) Check the access position on the

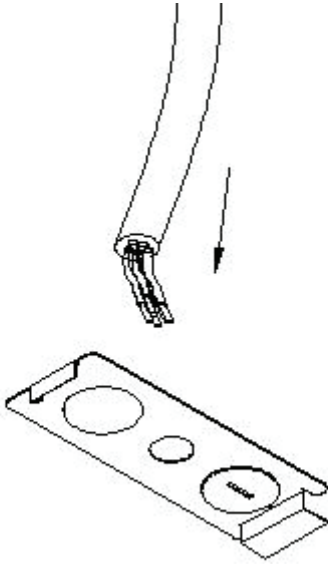


- 2) Remove the screw and the cover on the back, and then pull out the wire. There will be 5 wires for 0-10V dimmable solution and 3 wires for non-dimmable solution.

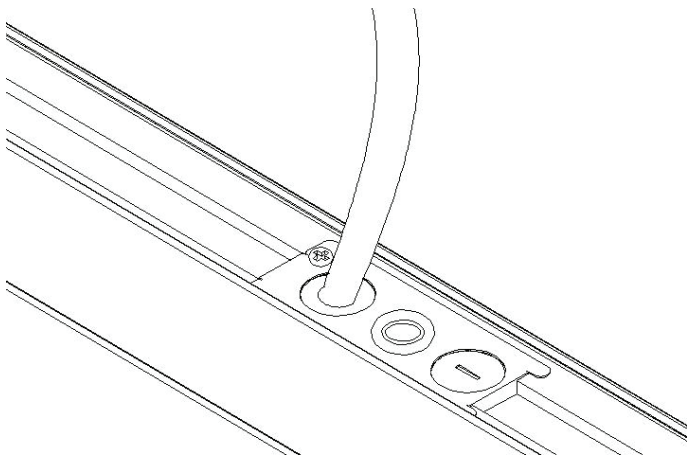


- 3) Pass the input wire through the hole of the cover board, and then connect the wires according to different colors.

Note: L(Black)N(White)G(Green)DIM+(Purple),DIM-(Brown)

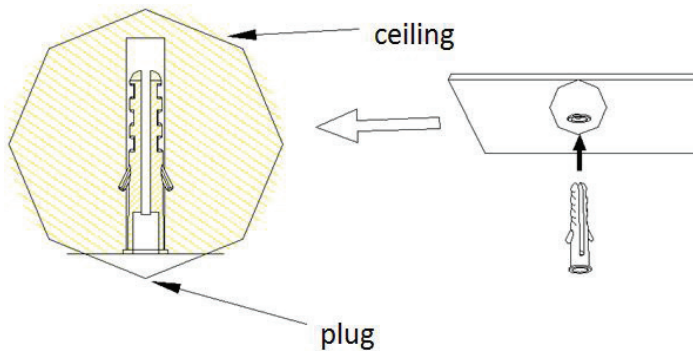


- 4) After finishing connection, put the wires into the lamp body. Cover the cover board and then lock the screws.

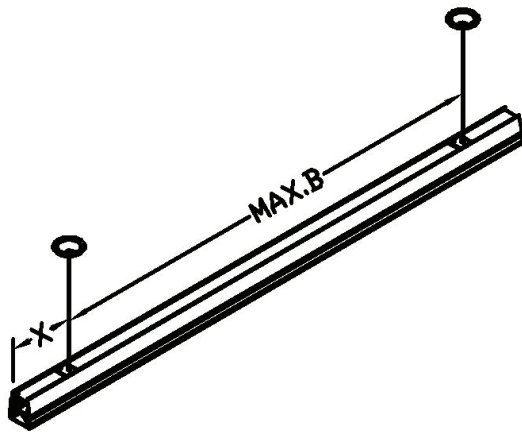


4. Installation steps for suspending

- 1) Take off the base for fastening the suspending string to find the best location for screws and make a mark.
- 2) Drill holes as marks you made, and put the rubber plug into it.

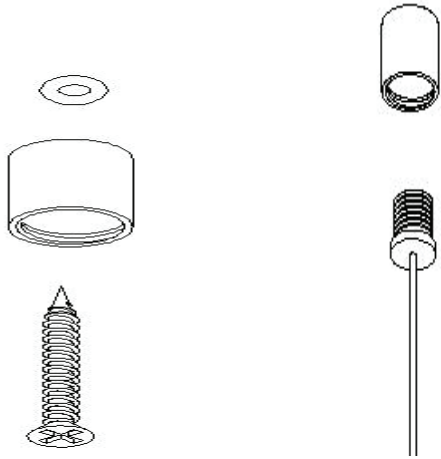


- 3) Finish the other holes. Pay attention to the distance between 2 suspending strings.

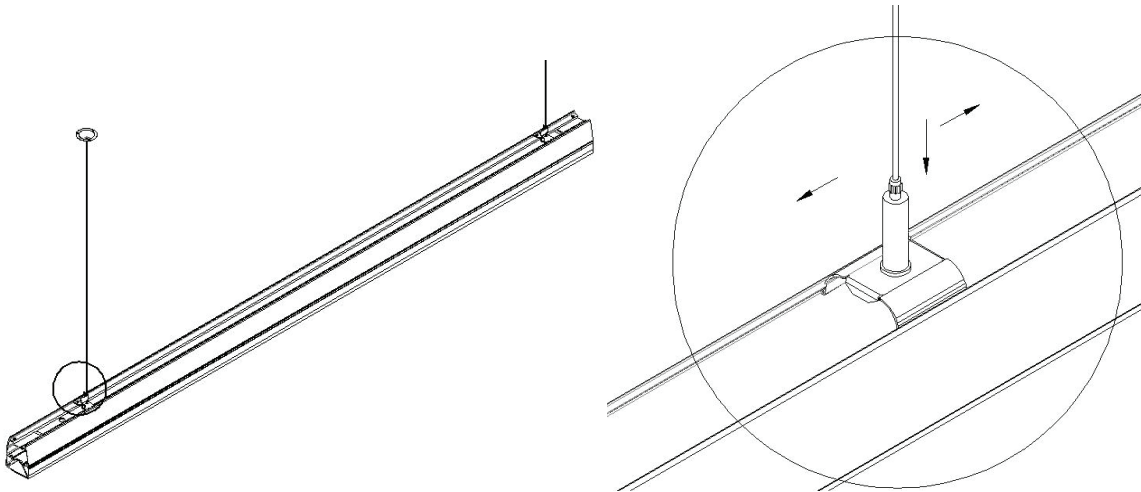


Note: $X \geq 100\text{MM}$, $B \leq 2000\text{MM}$

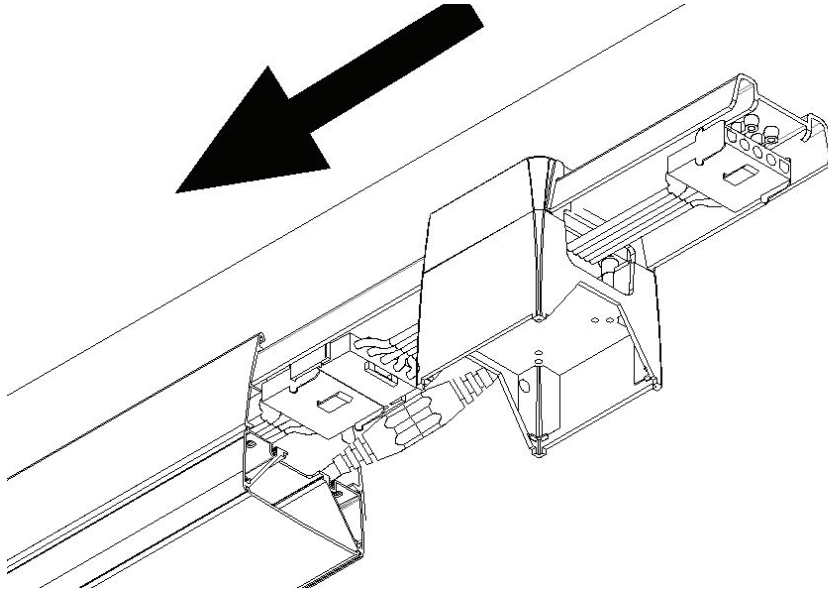
4) Hold the base into the ceiling with screw, and then insert the suspending string into the base.



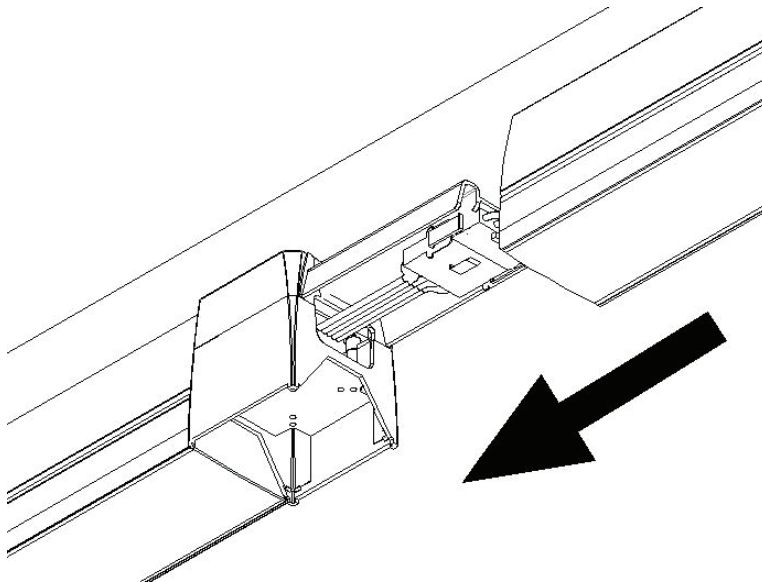
5) Connect the lamp with the string. Adjust the light and keep it level.



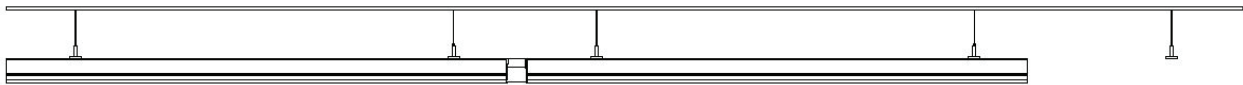
6) Link the 5PIN female terminal and DC on the light body with the male terminal and DC on the Connector. And push the connector into the light body.



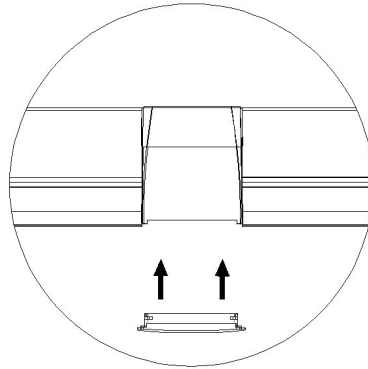
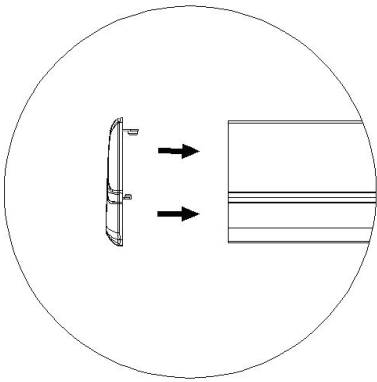
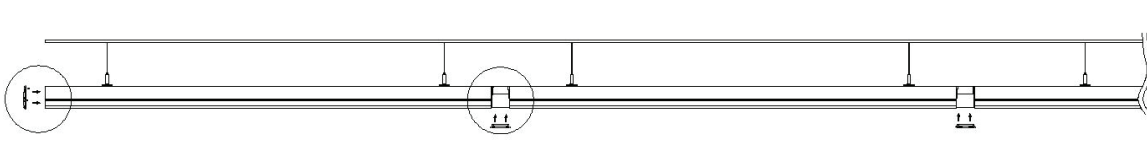
7) Then link the other side of the connector with the terminal on the other lamp body.



8) Continue to install the next one, until many pieces finished.

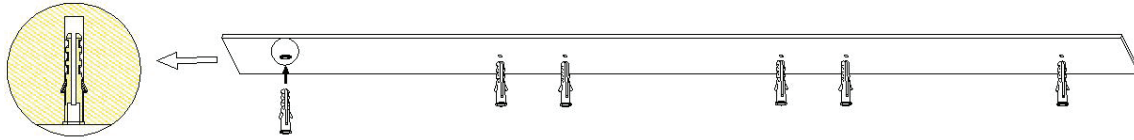


9) Last step: cover all of diffusers onto the connectors, and put onto the covers on both sides.

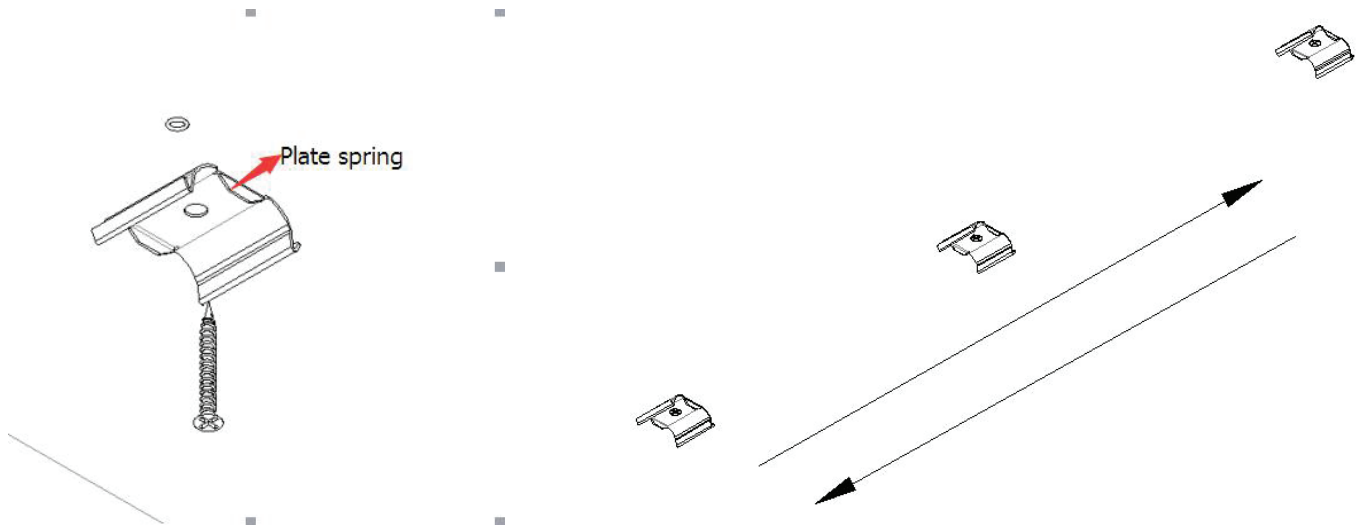


5. Steps of Surface mounted installation:

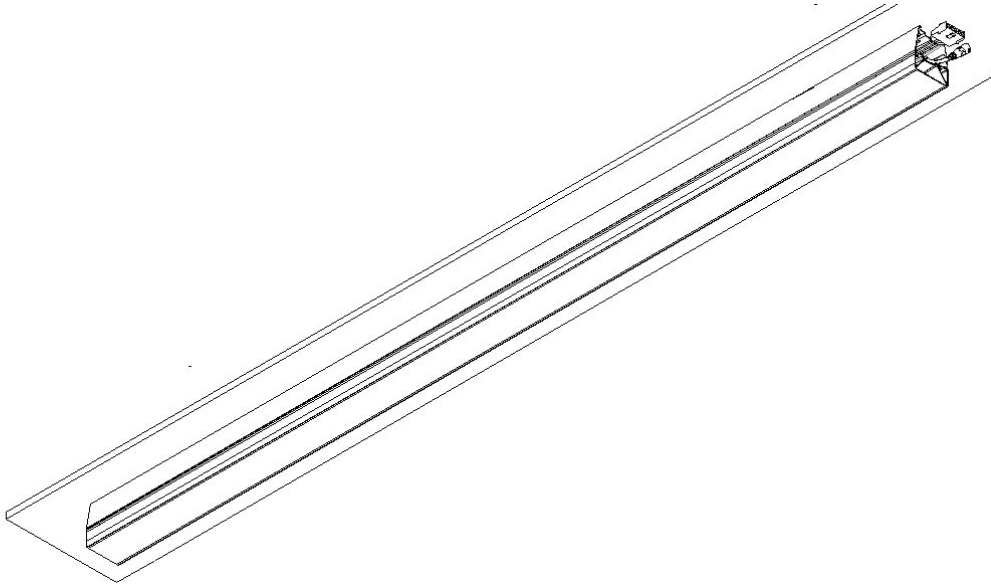
1) Drill the holes in the ceiling as marks as you made, and put the rubber plug into the holes.(keep all the holes in a straight line)



2) Fix the plate spring into the ceiling with screw.(keep the plate spring 's direction parallel with installation direction)



3) Put the linear light into the plate spring.



4) step 4~step 7 are the same as the suspending step 6~step 9 above.